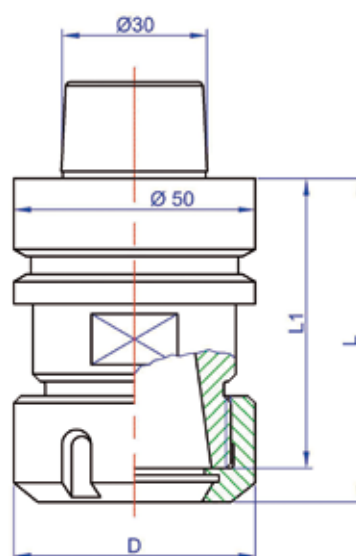


Tool holders Type HSK 50F DIN 69893

Collet chucks holders for Collets ER - ORT25

Code	Description	Collet Type	L1	L	D	Capacity
WF101	Collet chucks holders with nut	ER16	50	60	28	1/10
WF102	Collet chucks holders without nut	ER16	50			
WF103	Collet chucks holders with nut	ER25	50	60	42	1/16
WF104	Collet chucks holders without nut	ER25	50			
WF105	Collet chucks holders with nut	ER32	50	62,5	50	1/20
WF108	Collet chucks holders without nut	ER32	50			
WF109	Collet chucks holders with Lh nut	ER16	50	60	28	1/10
WF110	Collet chucks holders without Lh nut	ER16	50			
WF111	Collet chucks holders with Lh nut	ER25	50	60	42	1/16
WF112	Collet chucks holders without Lh nut	ER25	50			
WF114	Collet chucks holders with Lh nut	ER32	50	62,5	50	1/20
WF116	Collet chucks holders without Lh nut	ER32	50			

Code	Description	Collet Type	L1	L	D	Capacity
WF122	Collet chucks holders with nut	ER40	60	76,5	63	3/30
WF124	Collet chucks holders without nut	ER40	60			
WF126	Collet chucks holders with nut	ORT25A	60	76,5	60	3/25
WF128	Collet chucks holders without nut	ORT25A	60			
WF132	Collet chucks holders with Lh nut	ER40	60	76,5	63	3/30
WF134	Collet chucks holders without Lh nut	ER40	60			
WF136	Collet chucks holders with Lh nut	ORT25A	60	76,5	60	3/25
WF138	Collet chucks holders without Lh nut	ORT25A	60			



For collets see page from 72 to 79

Special tool holders are made on request